

METALSISTEM[®]

SIDAC[®]



catalogue

SHOPFITTING SOLUTIONS

Shopfitting Equipment for Large Scale Distribution

The Group

Founded in 1968, METALSISTEM started its activities as a designer and manufacturer of cold forming profilers. The experience amassed in this sector, the many highly innovative patents registered and the success achieved by the first galvanized steel products, are a testament to what is now the company's core business.

METALSISTEM Group today is a dynamic manufacturing company with headquarters and main production facilities in Rovereto, northern Italy. The Group is one of the most important manufacturers of material handling and shopfitting equipment.

Thanks to a comprehensive product range and services for the organization of warehouse space as well as fit-outs of small and large retail surfaces, the METALSISTEM Group companies offer a range of customised solutions that rationalise and

streamline the entire material handling chain, from the warehouse to the shop front.

The exceptional structural performance, its ease of use together with a vast range of accessories which can be applied to a deep history of existing systems are just some of the aspects that have led to the market success of METALSISTEM products.

The METALSISTEM Group through its SIDAC brand offers innovative and functional shopfitting solutions for all sales environments, from small retailers to hypermarkets, articulated in a broad range of high quality products and accessories designed to provide a seamless fit with any type of merchandise display requirement.

The remarkable success of the METALSISTEM Group is also a result of the adoption of a clear business strategy driven to develop innovative production technologies in the internal R&D centre. This enables the METALSISTEM Group to design and place in production proprietary equipment and machinery for use in its own manufacturing processes. This characteristic makes it possible to offer clients a very wide range of high-tech products with properties that are absolutely unique, as confirmed by the fact that they have been granted protection under international patents.

All products share extraordinary structural characteristics and follow high quality standards which have been recognized and accredited by top European certification institutes.

The METALSISTEM Group operates on a site of 230.000m² of which 125.000m² are dedicated to production and has an annual aggregated turnover of EUR 260M. In conjunction with its commercial affiliates in Italy and other major countries around the world, the METALSISTEM Group is perfectly placed to provide optimal solutions for all markets and to meet specific local demands.

The trust placed in the company both in Italy and around the world is the best indication of the quality and reliability of METALSISTEM products.

ROVERETO - TN - THE HEADQUARTER



ROVERETO - TN - PREMISES AERIAL VIEW



Follow
on the web



The Product



The Euroscacco shelving system was developed to meet the display and fit-out requirements of all types of sales environments. With its extensive range of accessories designed for the display of the widest possible assortment of merchandise categories, right up to SIDAC Geoclass check-out counter range, every aspect of the product is painstakingly designed to maximize choice and encourage consumer purchases.

Euroscacco shelving offers a generous choice of components and accessories, the possibility of customizing the articles and diversifying display areas with the use of different finishes, all with the aim of focusing consumer attention on the displayed products.

The Euroscacco series makes it possible to configure the sales area with the utmost flexibility adopting a variety of different display modules (500 - 665 - 900 - 1000 - 1250 - 1330 - 1500mm) and a wide range of standard upright heights (from a minimum of 1060mm up to 4560mm), both available in pitch 25mm or 50mm variants

to provide a fine grained distribution of product along the face of the system.

Easy and fast assembly are just two of the advantages of the Euroscacco line, allowing rapid configuration of the sales area in accordance with seasonal trends; Euroscacco retail shelving can also be integrated and combined with industrial shelving for Cash & Carry and DIY shopfitting solutions. Thanks to this integration capability, the accessories are fully compatible across certain series of industrial shelving.

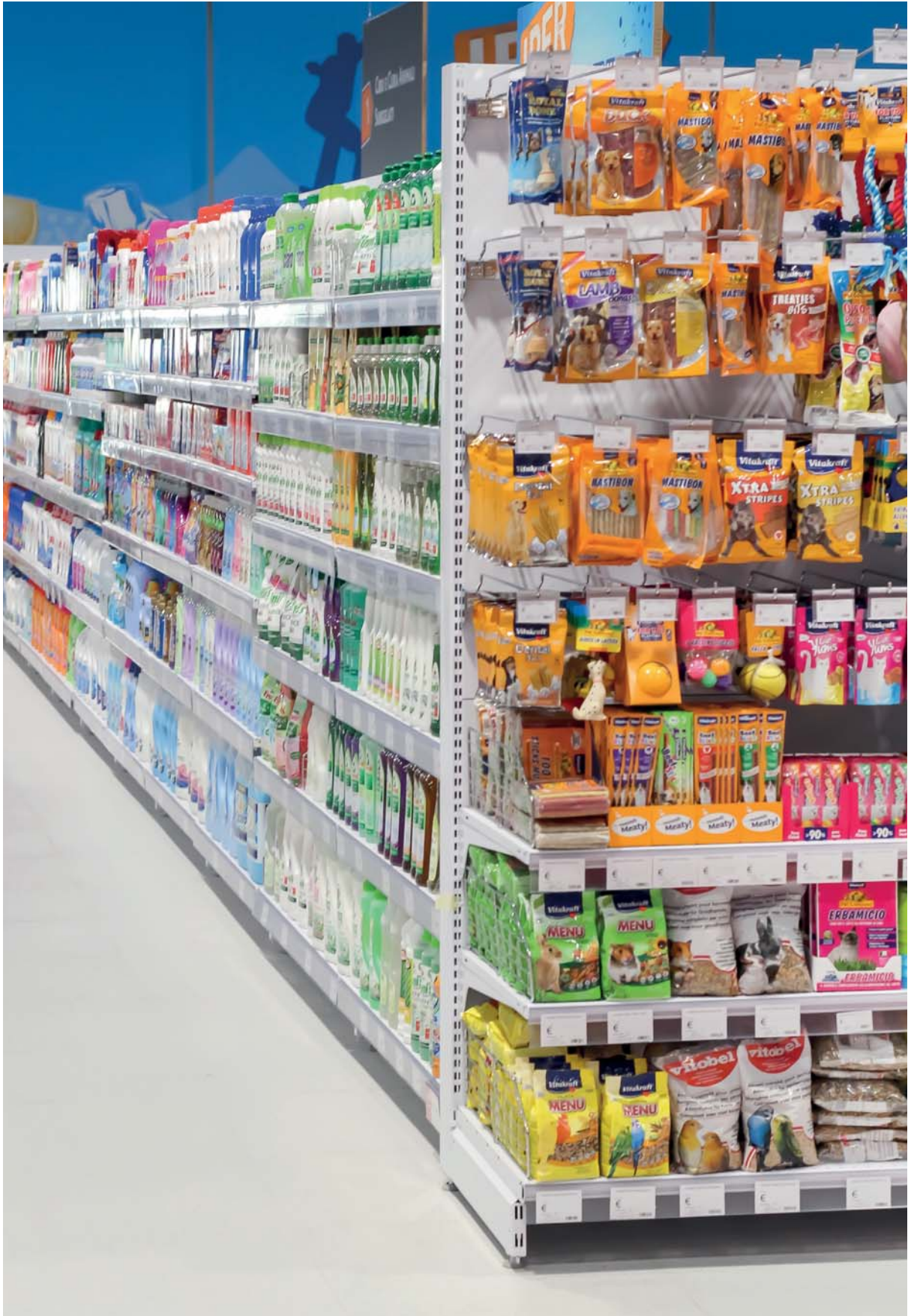
The exceptional modularity and adaptability of the elements in the Euroscacco line developed by METALSISTEM gives this product a unique position within the industry, allowing clients to develop a perfect solution for all types of display requirements in the world of shopfitting.

There can be several possible applications of such modular systems:

	Food	5		Electronics	43
	Cash & Carry	15		Toy Shop	53
	Sportswear & Freetime	23		Pet Shop	59
	Boutique & Fashion	29		Specialized Trade	63
	Home & Garden	35		DIY Store	69



FOOD Shelving



Euroscacco Supermarket

FOOD Shelving

created using standard components of the Euroscacco line



Different shop configurations
in accordance with display type
and load-bearing capacity



Euroscacco line shopfitting



FOOD sector shopfitting solutions created with standard elements of the Euroscacco shelving range



Self Service BAKERY display

Euroscacco shelving elements
for the sale of packaged
bakery products



Self-service **BAKERY** modules for **BREAD** and bakery products



Modular elements for unwrapped and packaged bread applied to standard Euroscacco shelving elements, combined to match display requirements



Shelving for FOOD retailers

Examples of various applications
of the Super 4-5-6 industrial
shelving system for shopfitting
of CASH & CARRY stores
or retail outlets

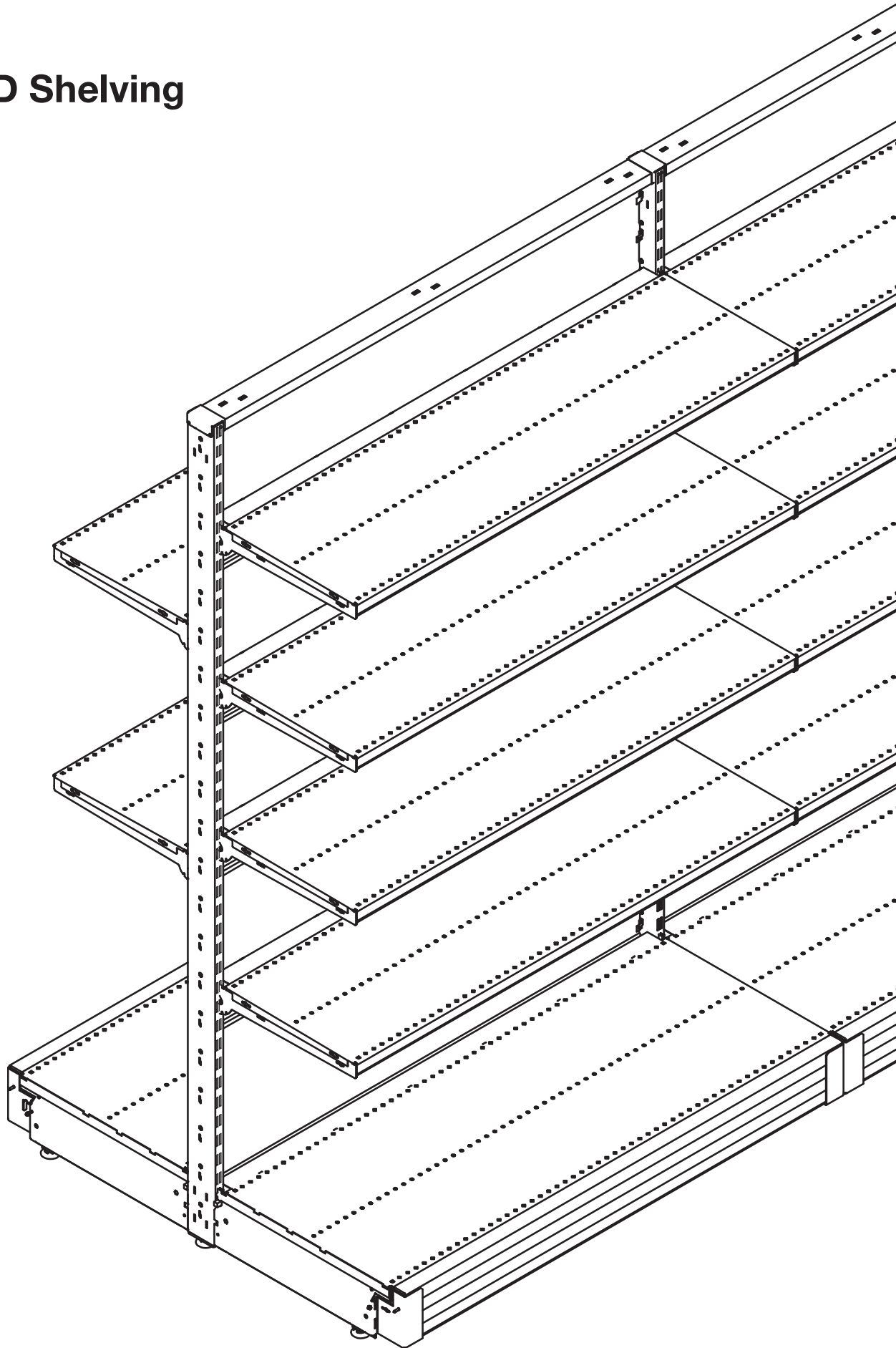


Shopfitting

METALSISTEM Unirack, Super 1-2-3 and Superinox lines for the creation of wine cellars and specialized wine sales areas



FOOD Shelving





CASH&CARRY



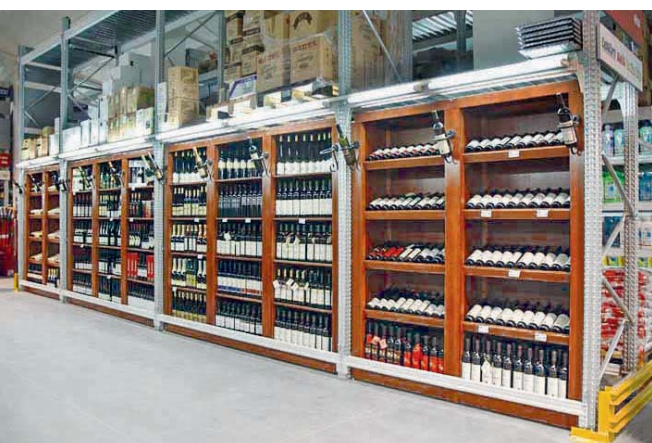
CASH&CARRY

Integrated Euroscacco, Super 4-5-6 and Superbo shelving systems

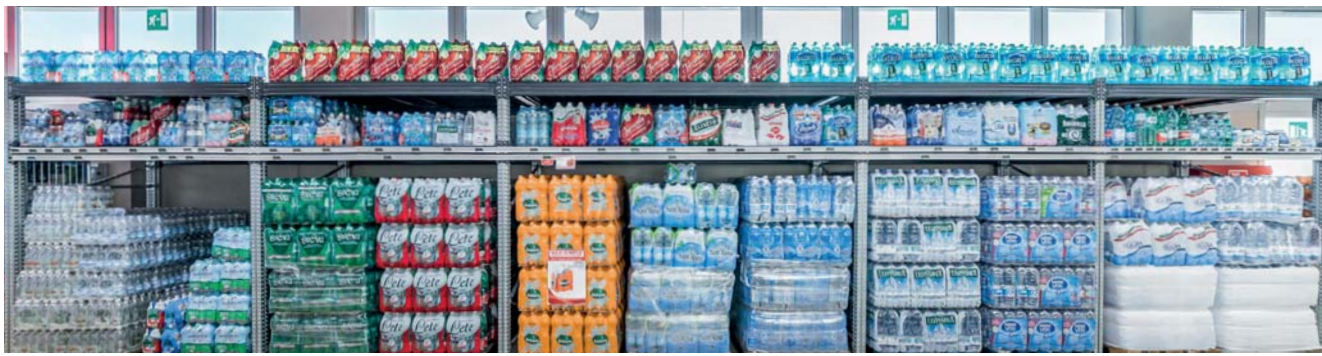
METALSISTEM industrial racking provides high load bearing capacity and can be integrated with Euroscacco shelving to impart a less “industrial” appearance to the store



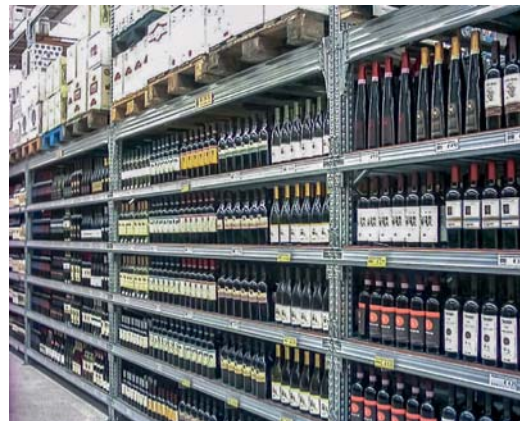
WHOLESALER



Examples of CASH & CARRY shopfitting:
harmony and integration
between industrial shelving
and retail shelving



Cash & Carry store designed with the Super 4-5-6 heavy duty racking integrated with Euroscacco shelving



CASH & CARRY

designed with the Super 4-5-6 heavy duty racking and integrated with Euroscacco elements: high load-bearing capacity for high volume merchandise displays

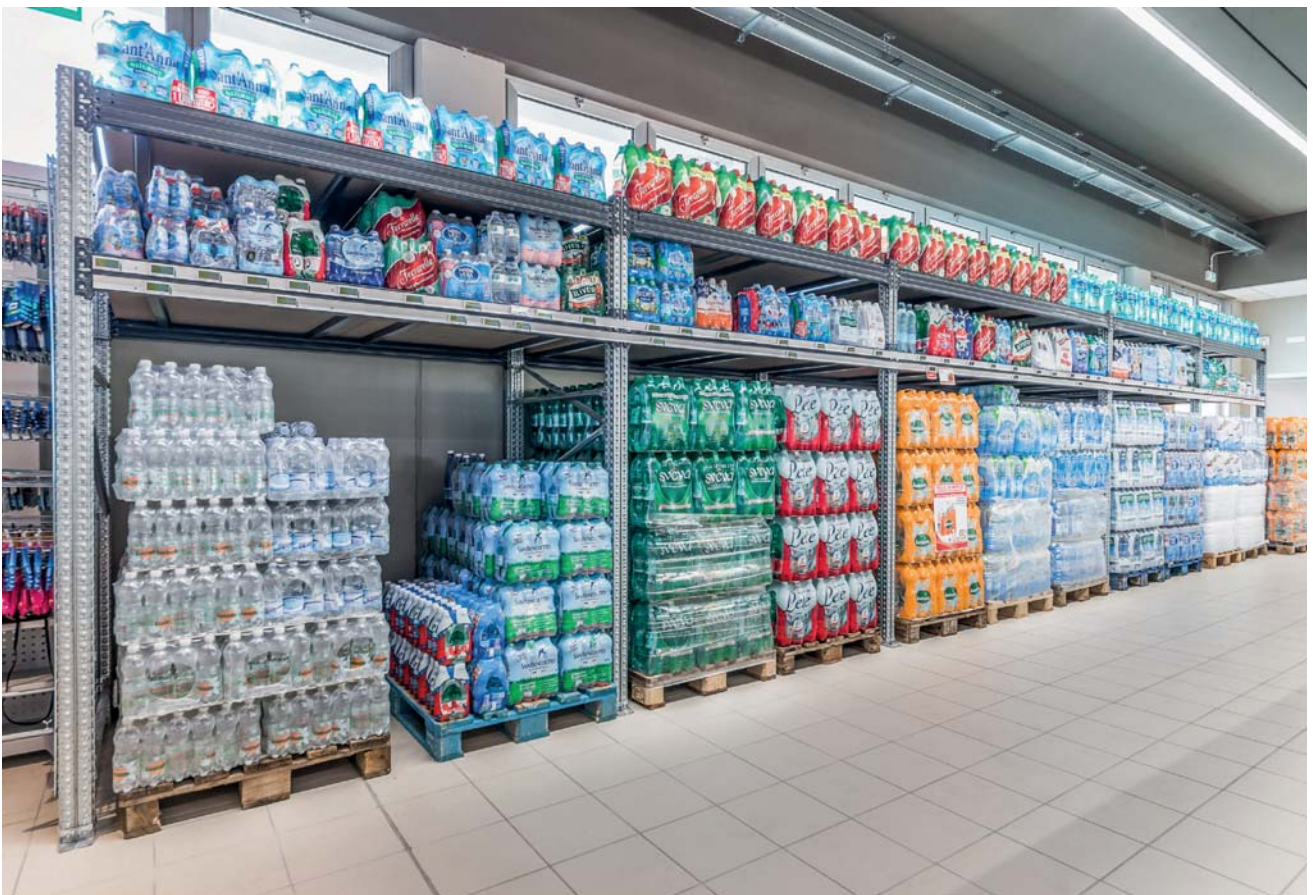


SHOPFITTING

Euroscacco shelving configurations
for Discount stores and Supermarkets



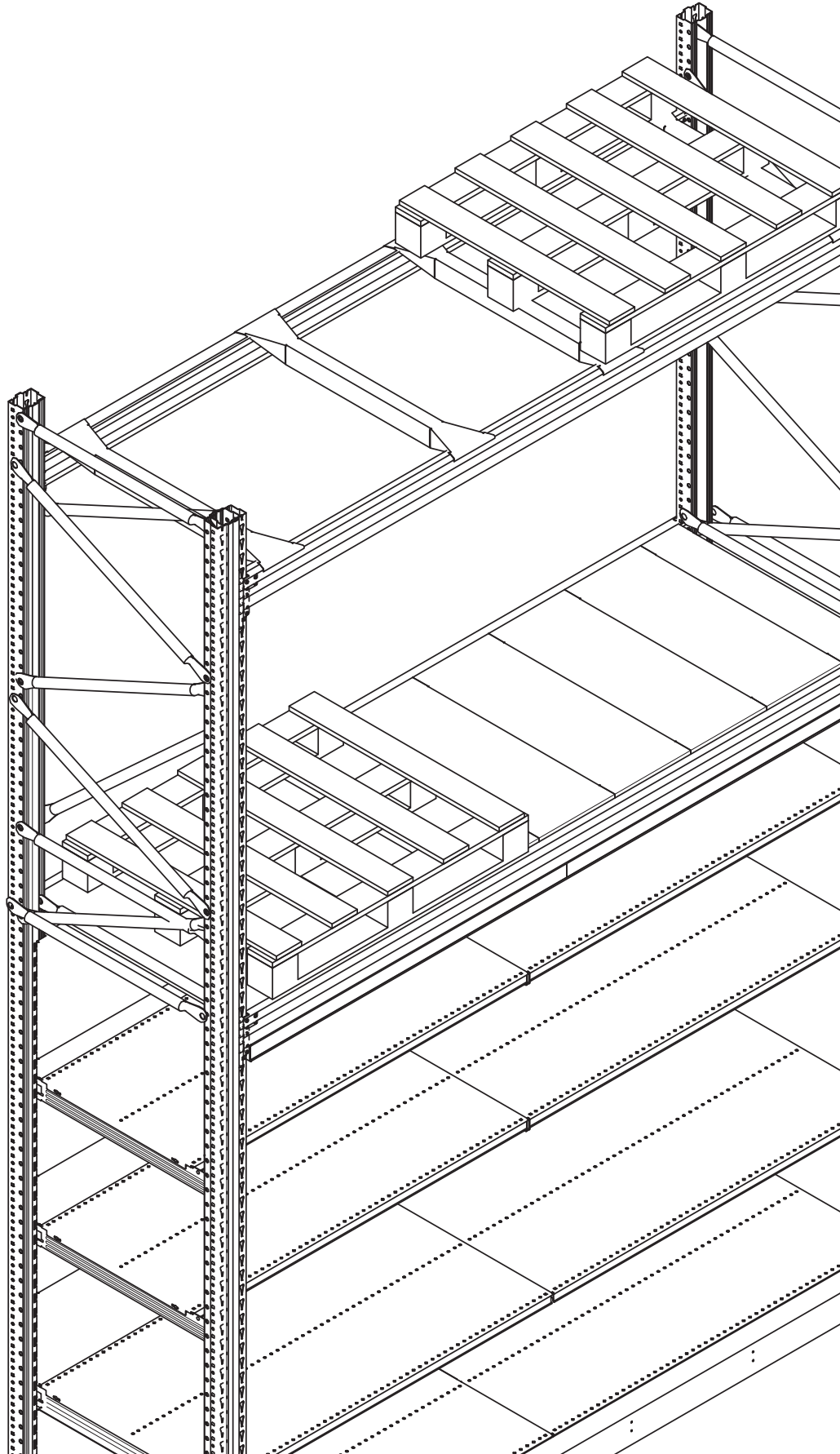
CASH & CARRY



Shopfitting solutions for wholesale outlets with integrated Euroscacco retail shelving and Super 4-5-6 industrial racking



CASH & CARRY





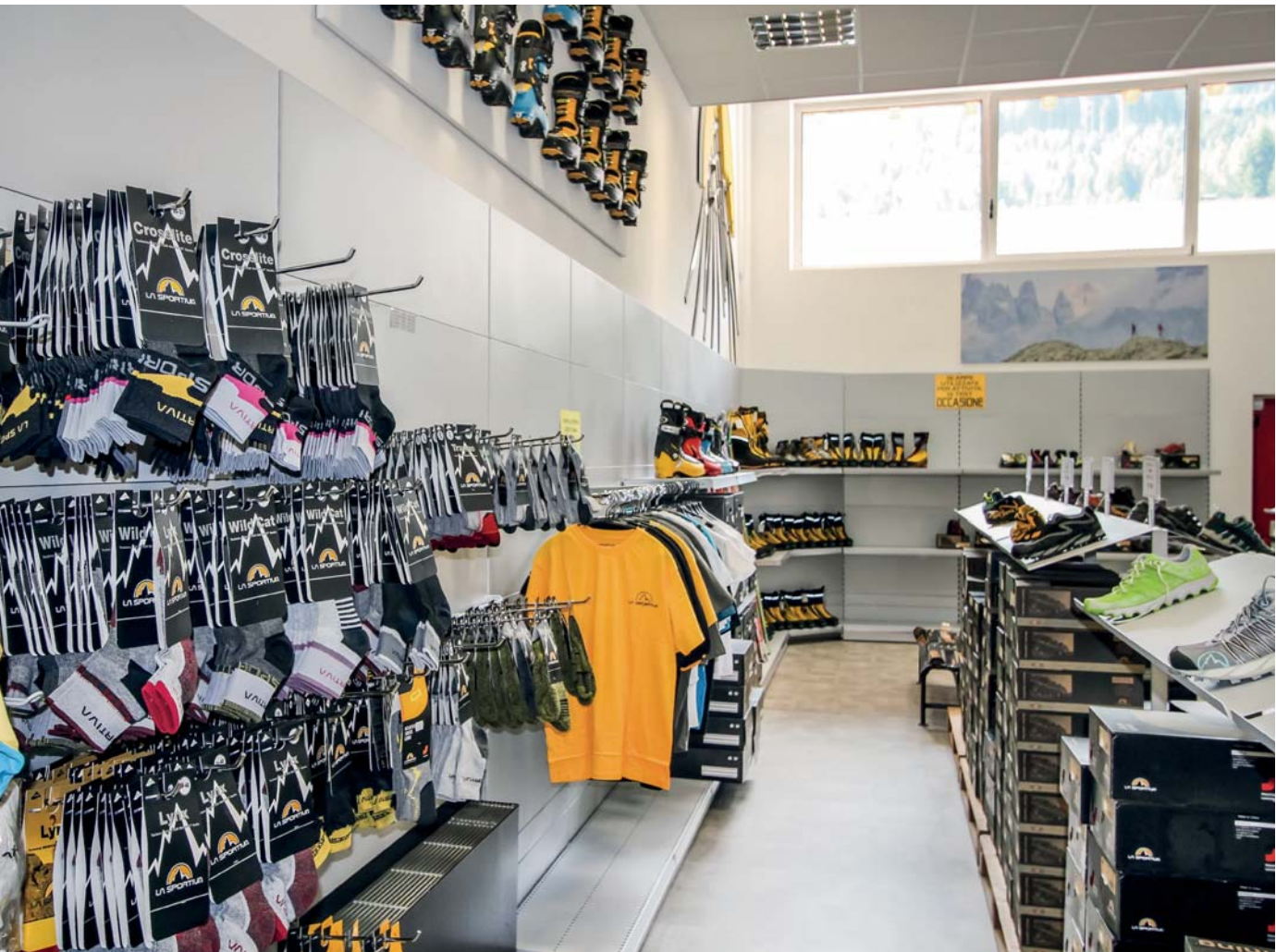
SPORTSWEAR & FREETIME

SPORTSWEAR & FREETIME shopfitting



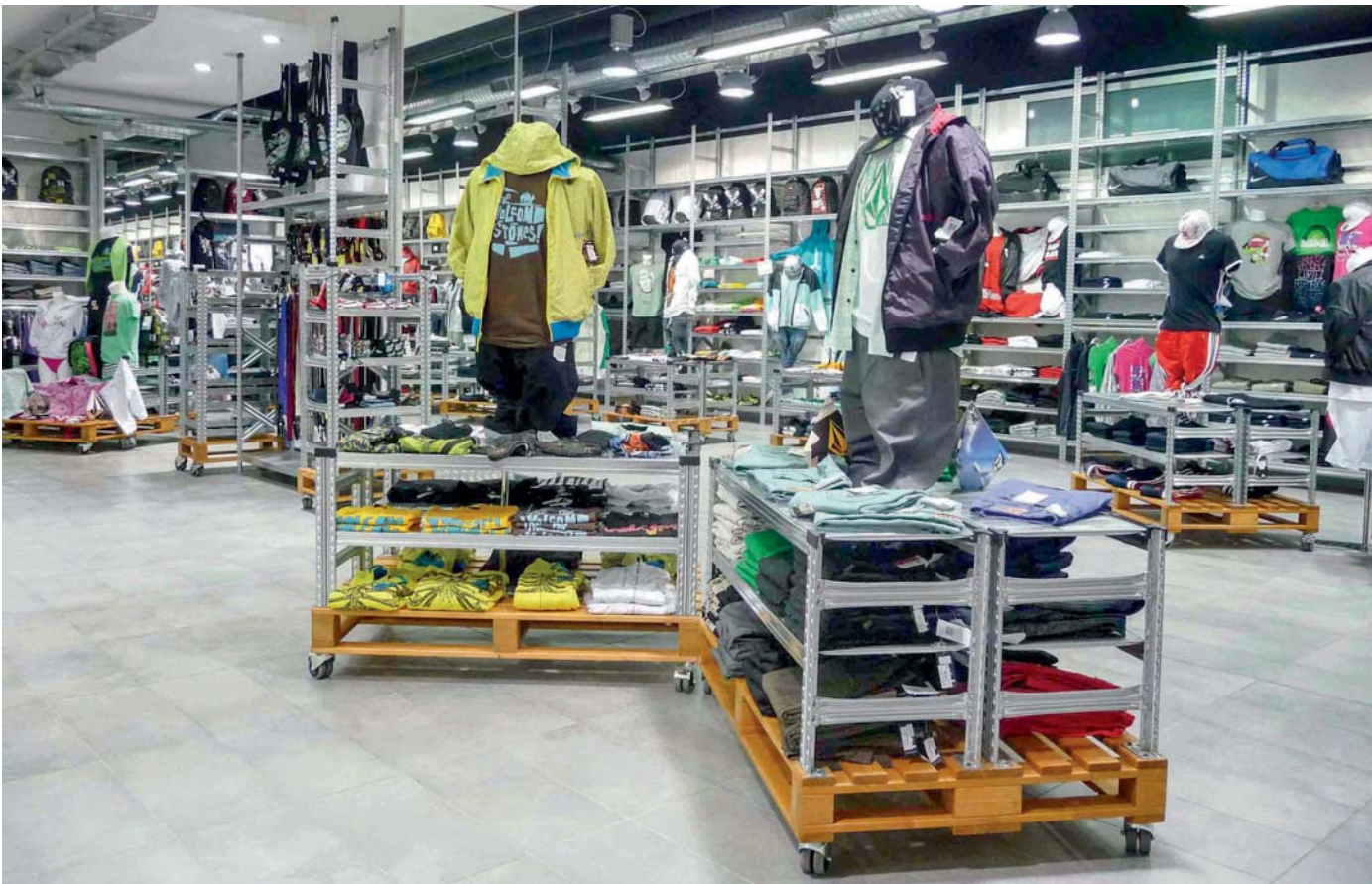
Application of Euroscacco shelving to specialized NON-FOOD areas



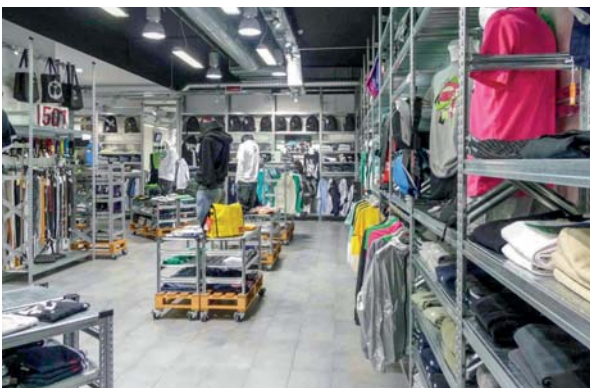


Clothing and leisure
dedicated accessories

Super 1-2-3 and Super 4-5-6 industrial shelving series for retail shopfitting

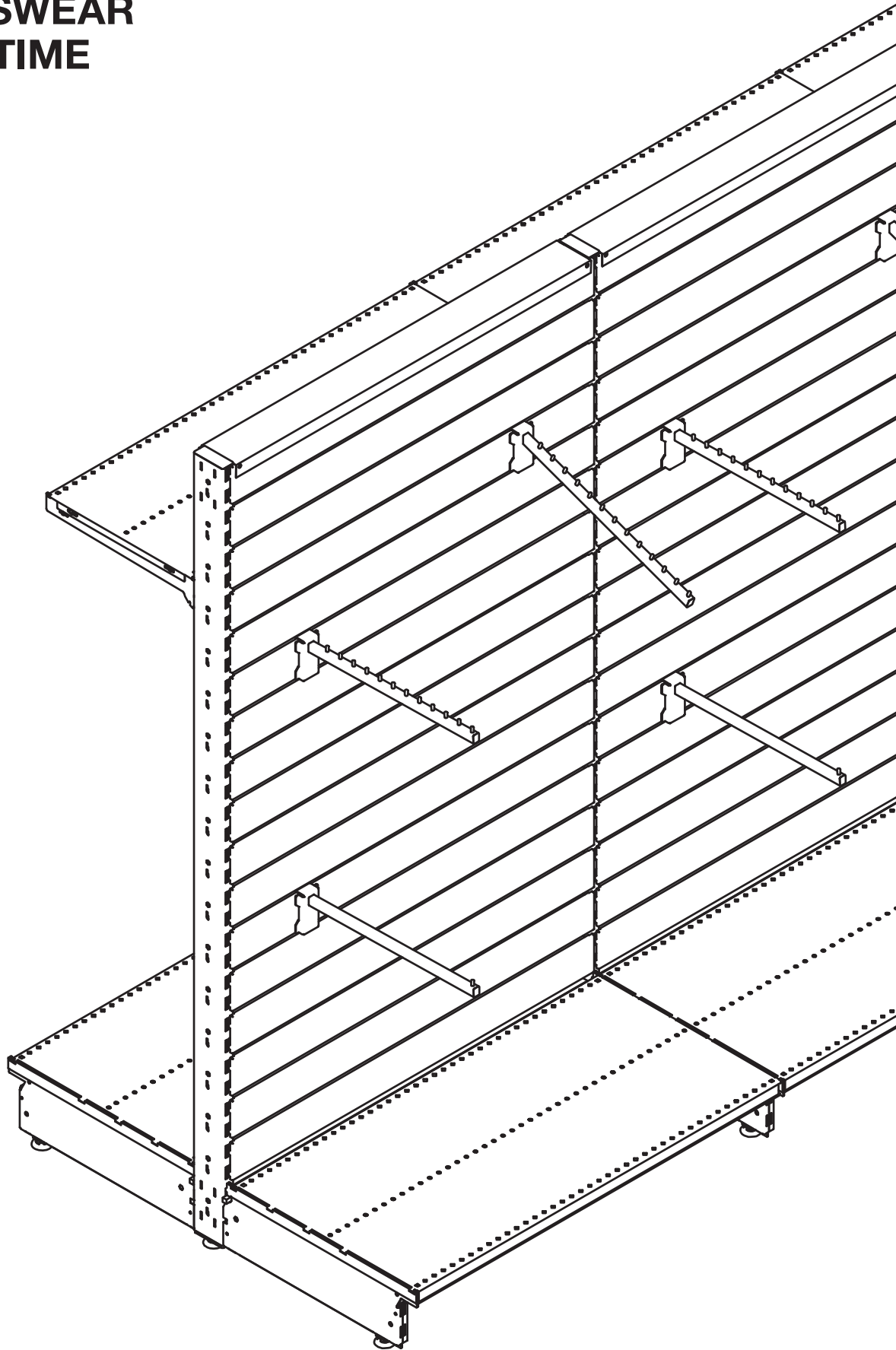


SPORTSWEAR & FREETIME



Dedicated display solutions customized to match the client's requirements

SPORTSWEAR & FREETIME





BOUTIQUE & FASHION
Shelving

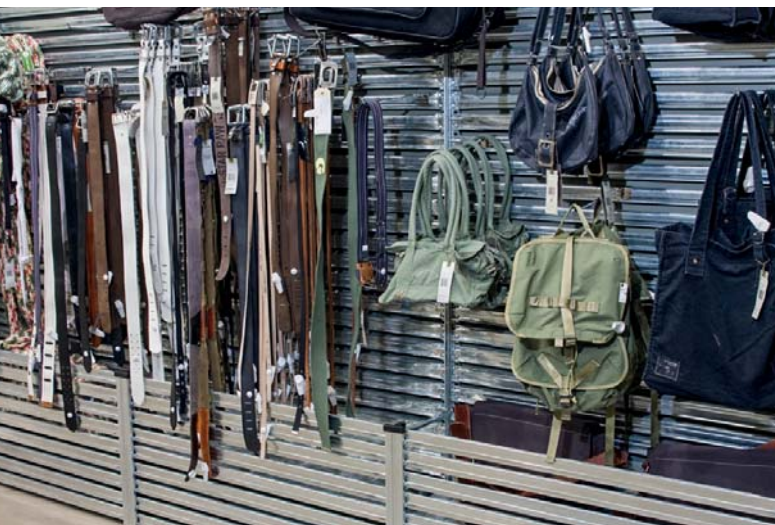


Superinox line boutique shopfitting



Boutique & FASHION

Shopfitting solutions developed with the METALSISTEM Superinox and Super 1-2-3 series



FASHION

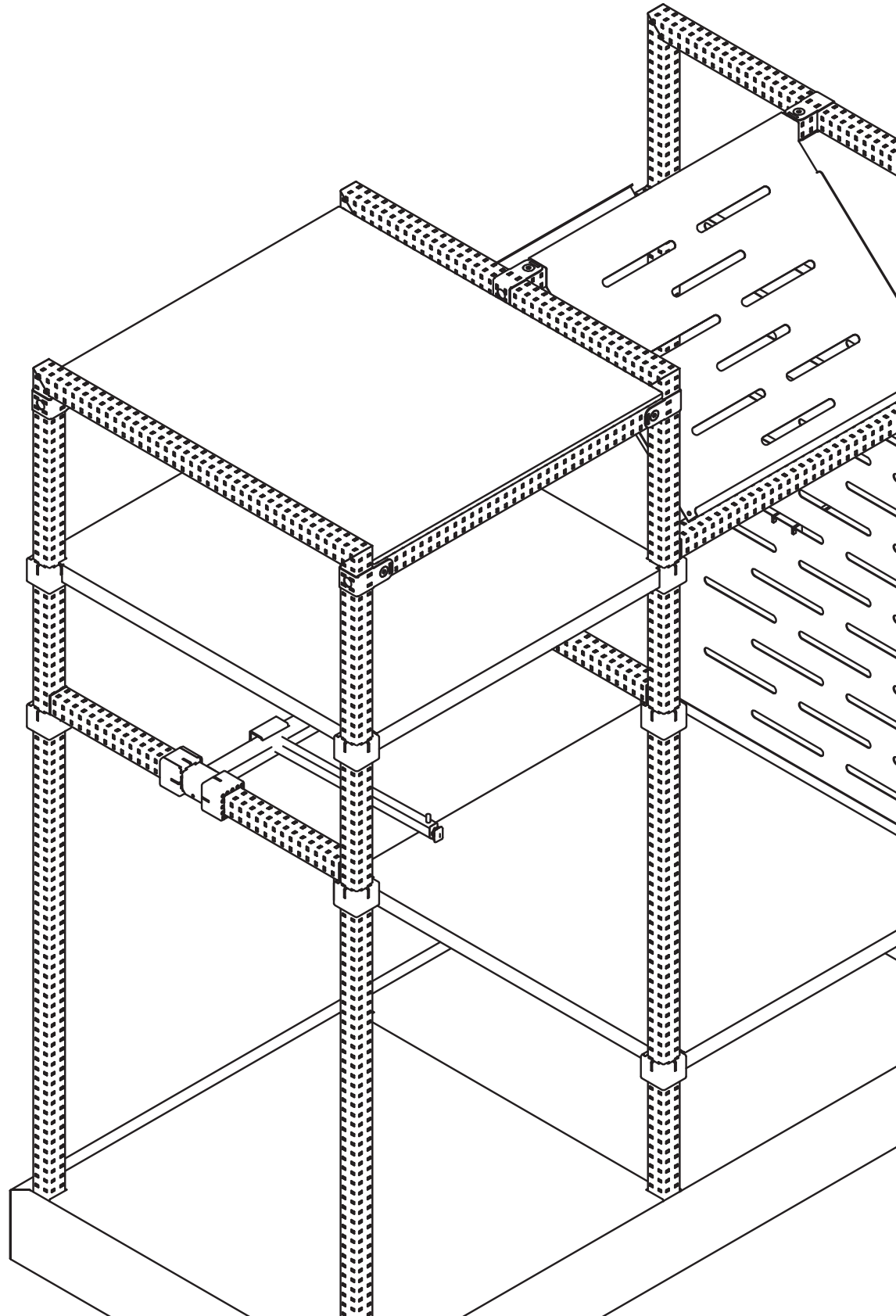
Shopfitting solutions developed with METALSISTEM Unirack series, which provides the shop with a modern and trendy look





Specialized fashion store shopfitting using the Super 1-2-3 line with powder coated finish together with standard Euroscacco shelving components

BOUTIQUE & FASHION





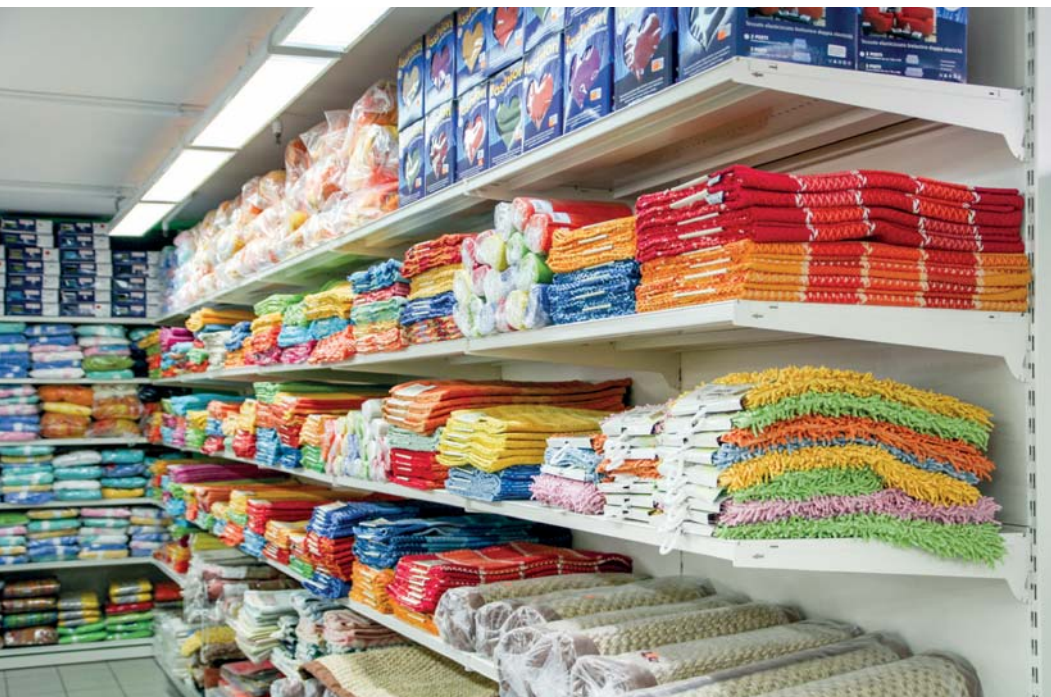
HOME & GARDEN Shelving

HOME & GARDEN Shelving

Euroscacco shelving is suitable for the display of any type of merchandise, from cookware to home linen and furnishing accessories



Euroscacco retail shelving

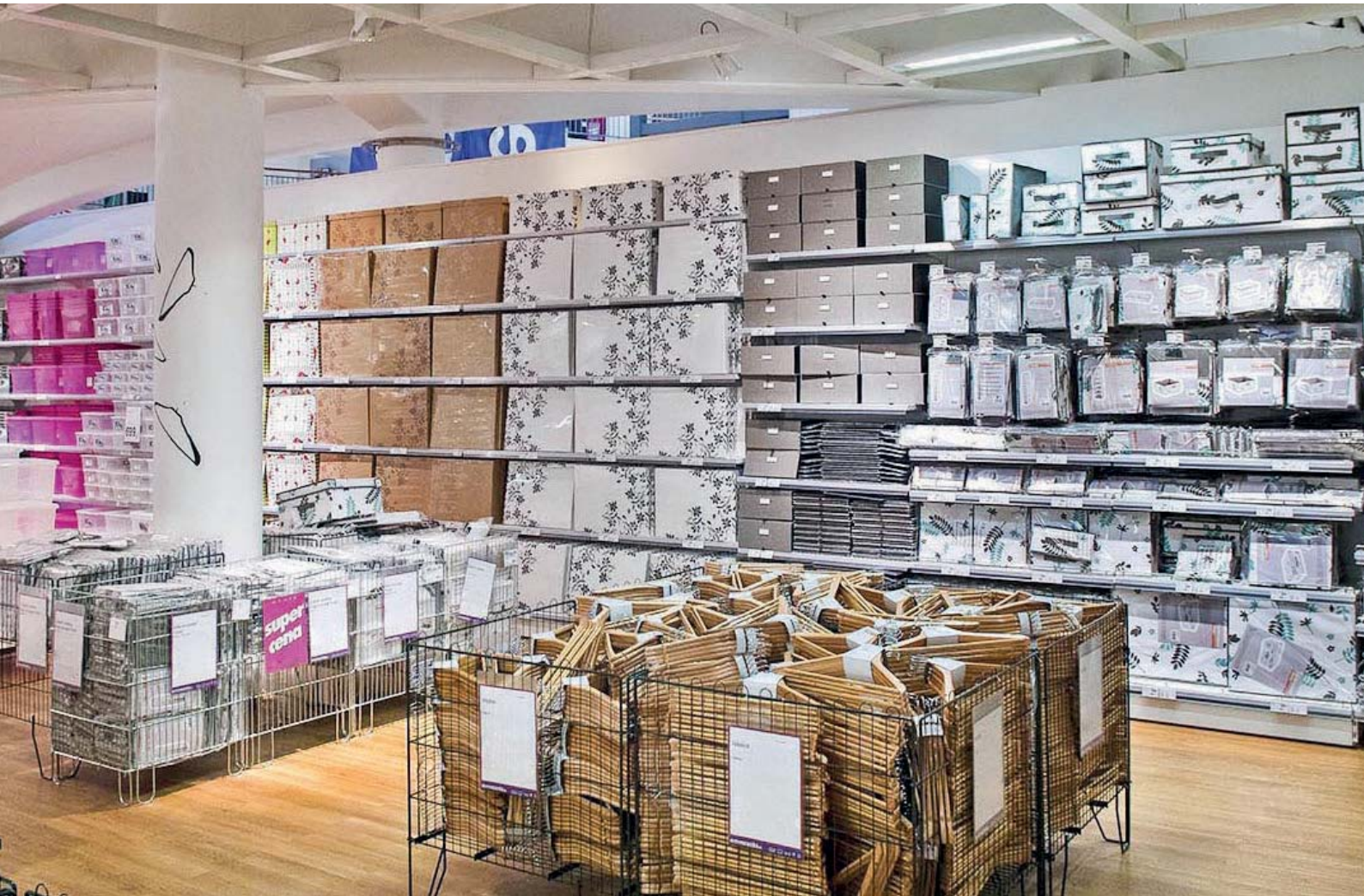


Shopfitting created with Euroscacco elements

Shelving for HOME & GARDEN

Homeware stores created with the Euroscacco shelving system





Shop created with the METALSISTEM
Super 1-2-3, Super 4-5-6 and Superinox series

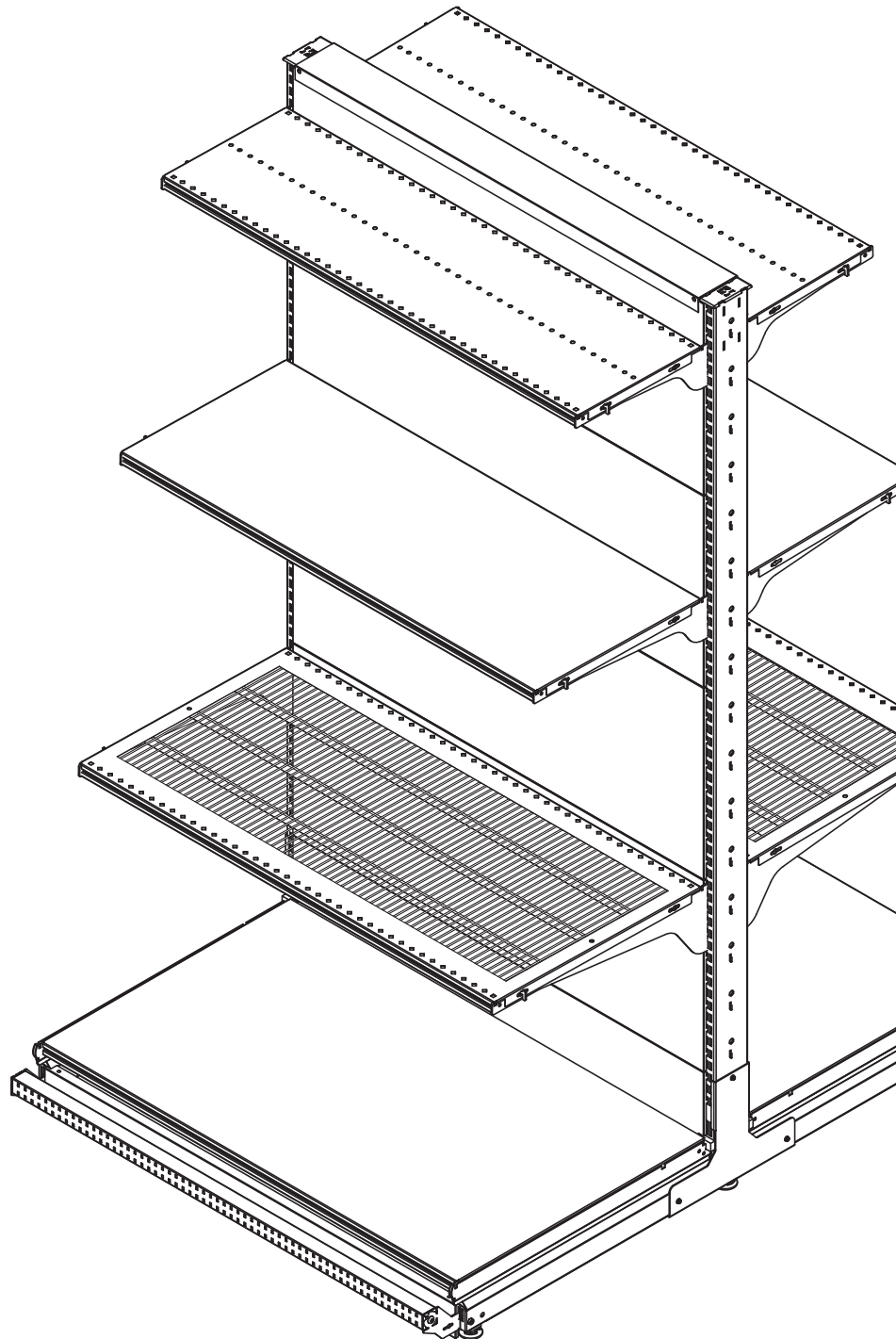


HOME & GARDEN



The Super 1-2-3 industrial shelving
captivating design applied retail environments

HOME & GARDEN shelving





ELECTRONICS **Shelving**

ELECTRONICS Shelving

Modular Euroscacco line shelving can be adapted to match the needs of retail spaces of all sizes, allowing the optimal display of merchandise to stimulate consumer purchases



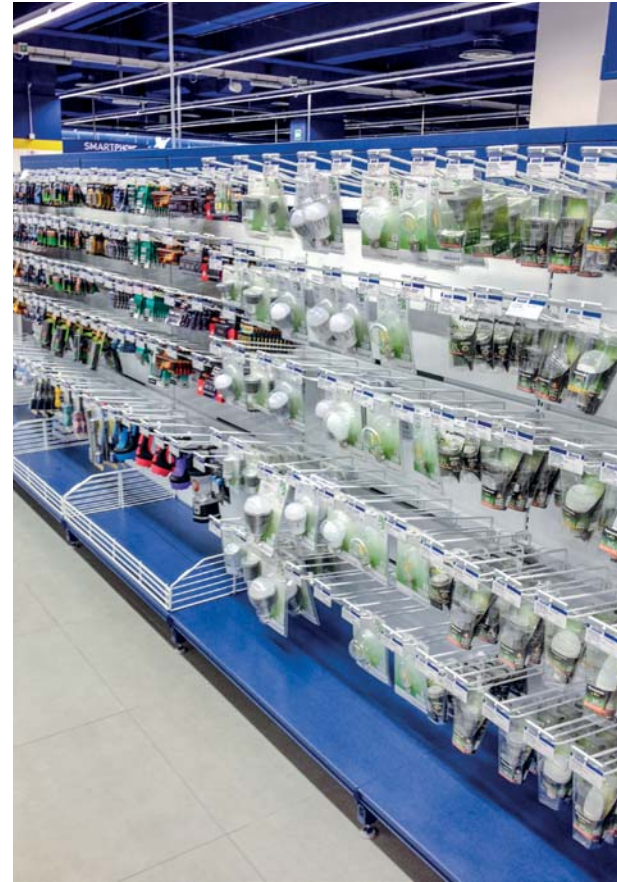
Euroscacco retail shelving

TV display fittings



Display solutions created with the Euroscacco shelving system

ELECTRONICS



Shopfitting solutions designed with the Euroscacco shelving system



Shopfitting solutions for electronics stores
created with the Euroscacco shelving system



ELECTRONICS store



Electronics products display solution created with the Euroscacco shelving system





Euroscacco line
shopfitting solutions

ELECTRONICS Shelving

Euroscacco line shopfitting solutions

Mobile phone and small appliance display units are designed so that the lighting maximizes the appeal of the displayed products

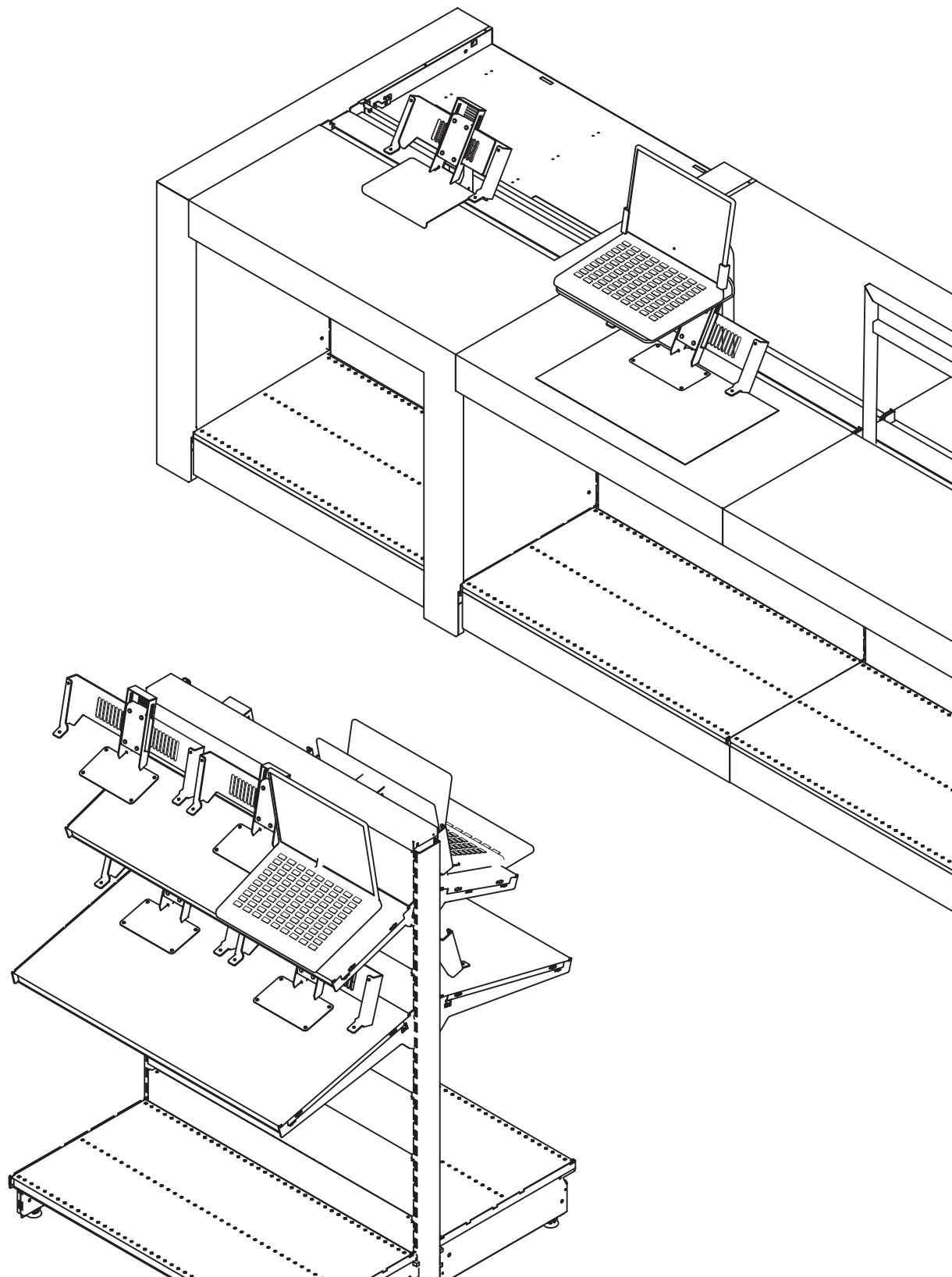


ELECTRONICS

Display solutions created with the Euroscacco shelving system



ELECTRONICS Shelving





TOY SHOP **Shelving**



Euroscacco line shopfitting solutions



TOY SHOP

Euroscacco line TOY SHOP solutions

TOY SHOP



Shopfitting for TOYS stores

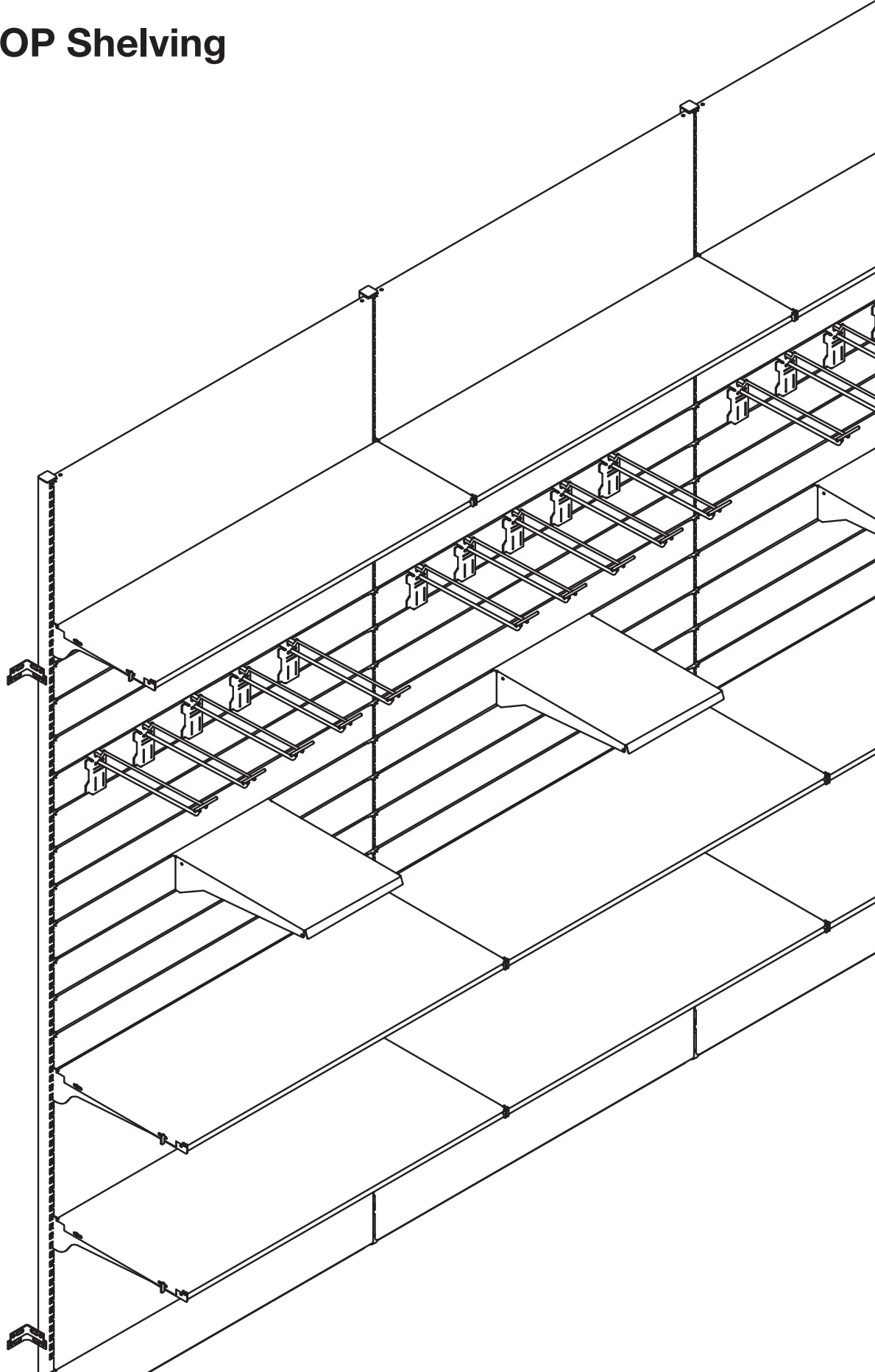


TOY SHOP

Euroscacco TOY SHOP Solutions



TOY SHOP Shelving





PET SHOP
Shelving



PET SHOP Shelving



Solutions for shopfitting developed with the Euroscacco line

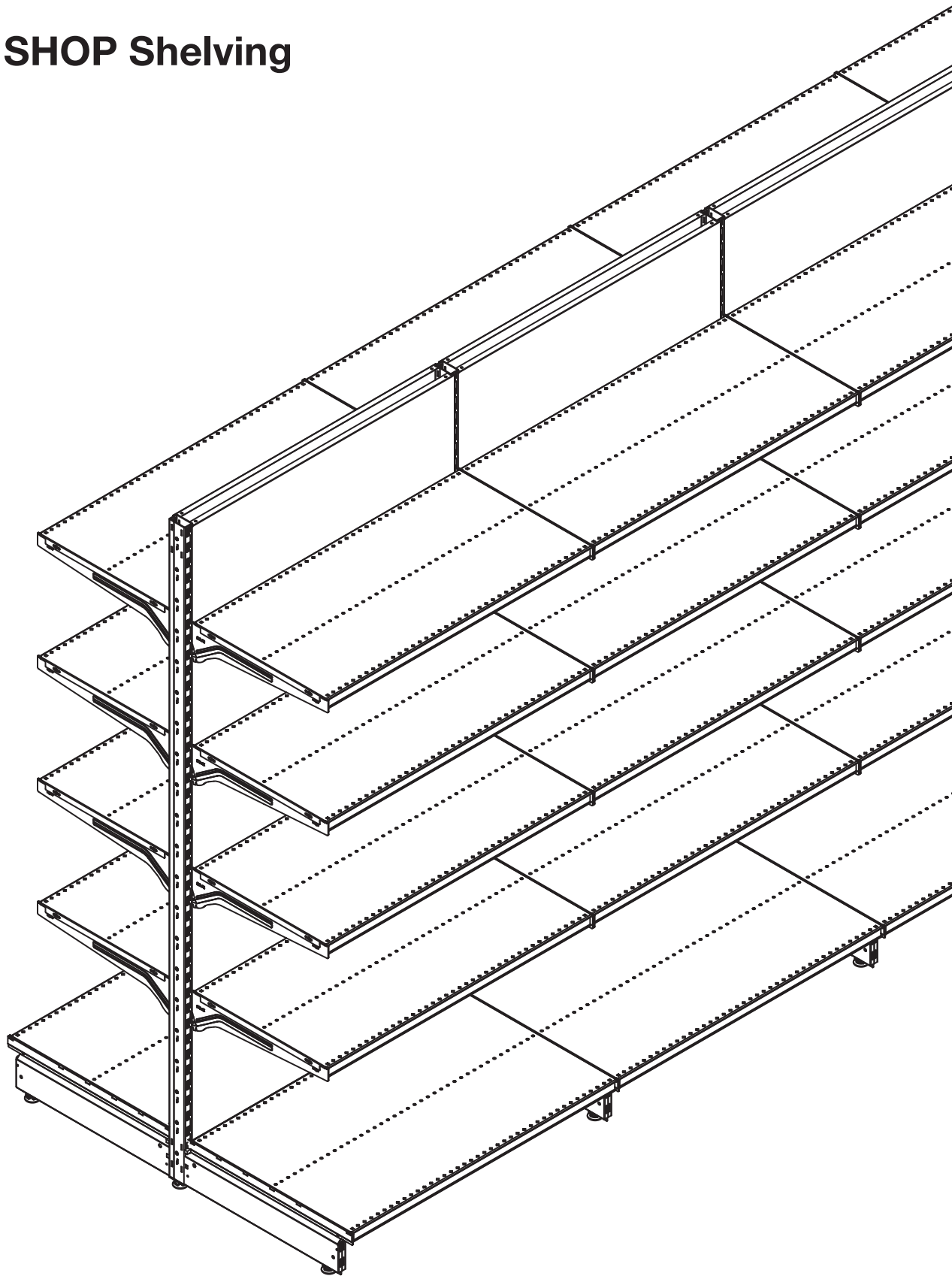




PET shop



PET SHOP Shelving





SPECIALIZED TRADE Shelving

SIDAC Euroscacco and METALSISTEM Super 4-5-6 shopfitting configurations



SPECIALIZED TRADE Shelving



Euroscacco and Super 1-2-3 series
shopfitting solutions



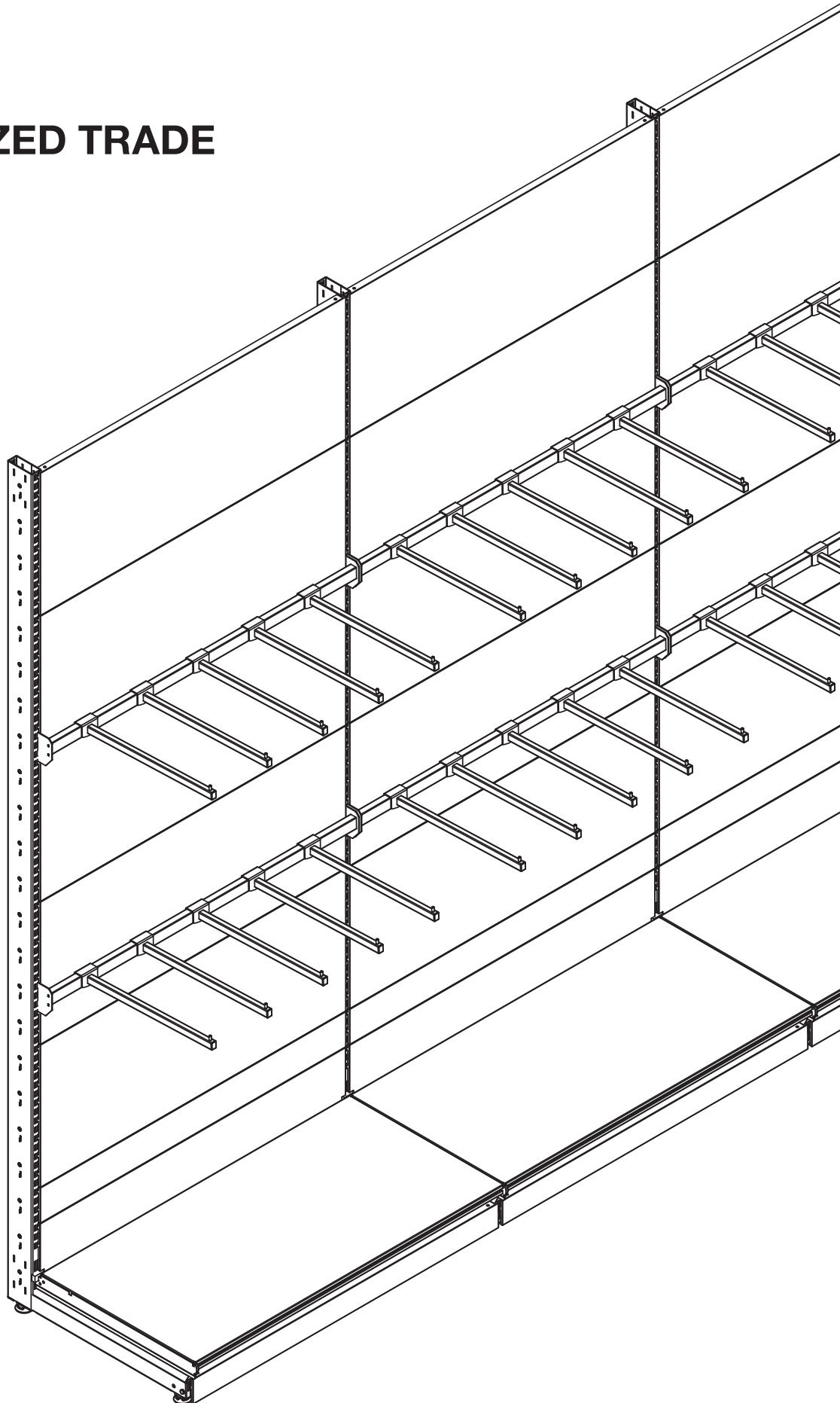
Super 1-2-3 series shopfitting solutions





Super 1-2-3 series shopfitting solutions

SPECIALIZED TRADE Shelving



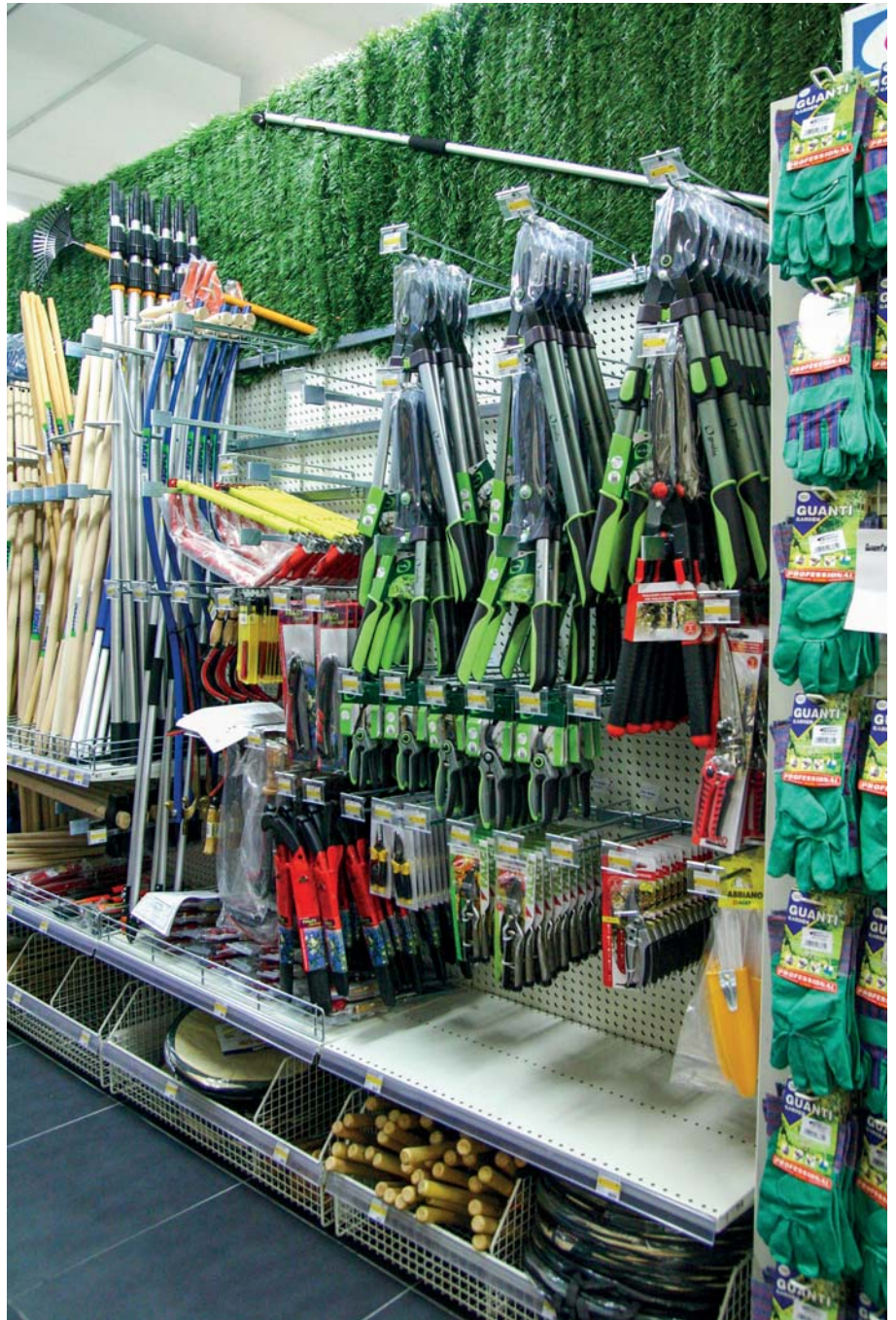


DIY STORE **Shelving**



DIY store

Euroscacco shopfitting solutions



DIY store



DIY tools display designed with the Euroscacco shelving system

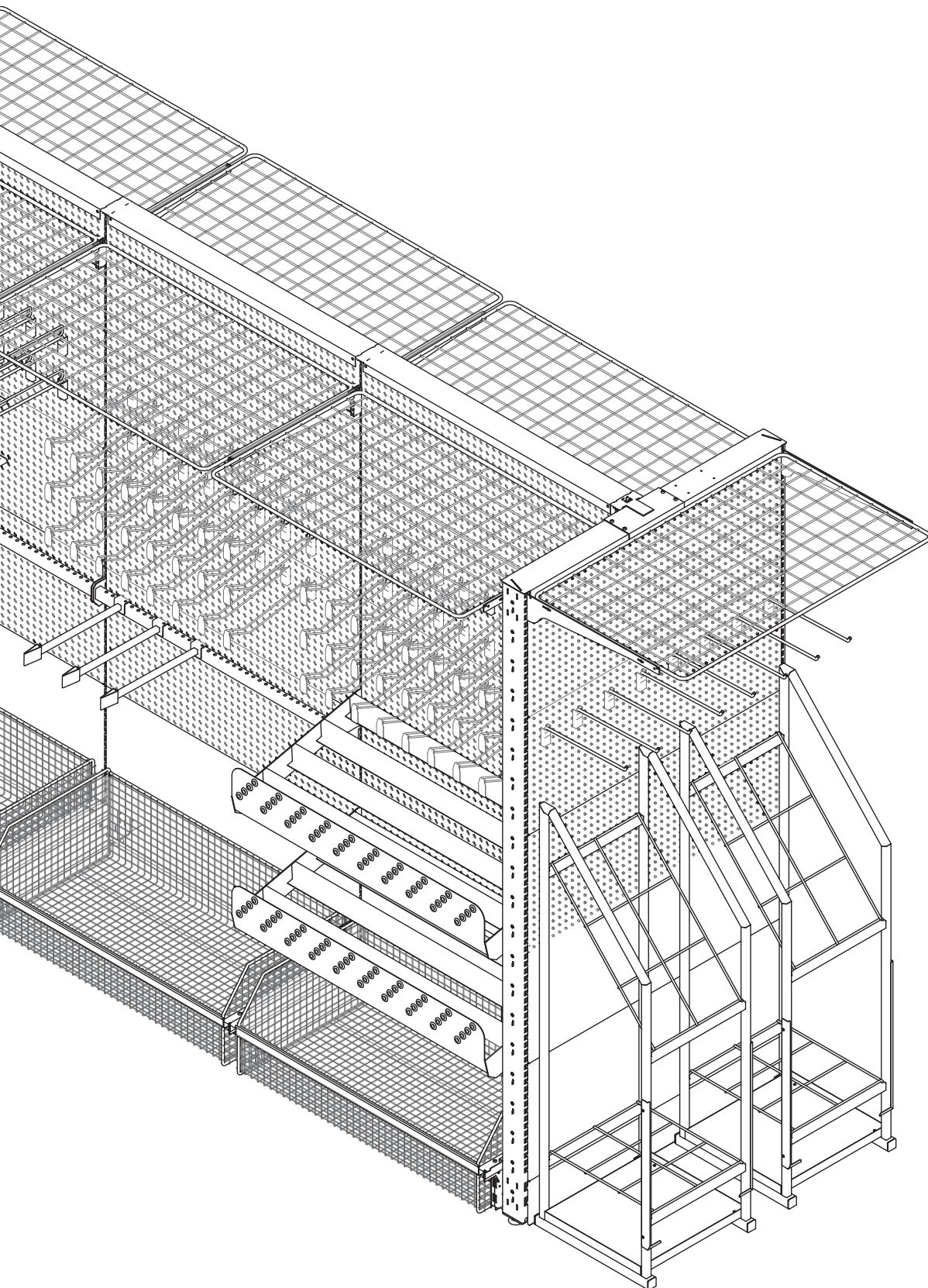
DIY stores shopfitting



Thanks to the large assortment of accessories available, the Euroscacco line allows the display of a vast range of merchandise types

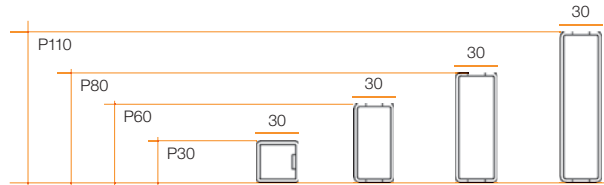
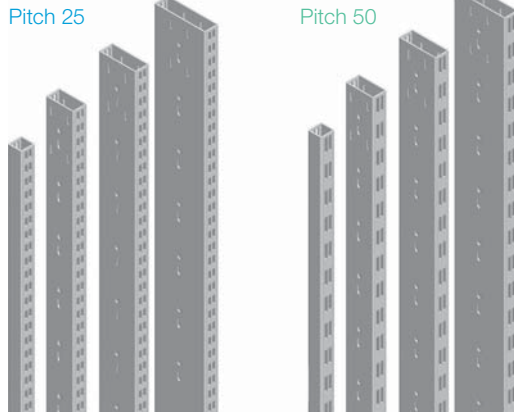


DIY Store Shelving



Euroscacco structure: main components

Uprights



Available Upright Sections (mm)

1060	1160	1260	1360	1460	1560	1660	1760	1860
1960	2060	2160	2260	2360	2460	2560	2660	2760
2860	2960	3060	3160	3260	3360	3460	3560	3660
3760	3860	3960	4060	4160	4260	4360	4460	4560

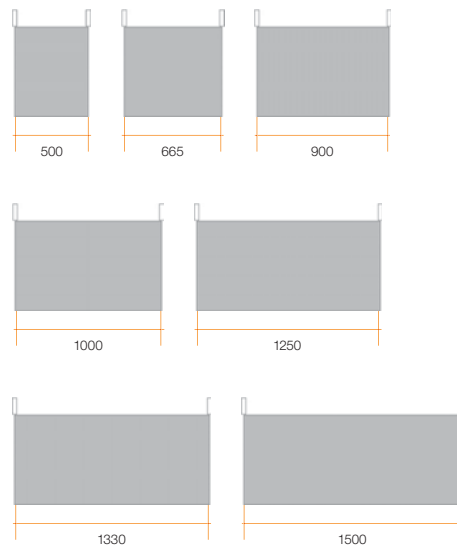
Upright | Covers



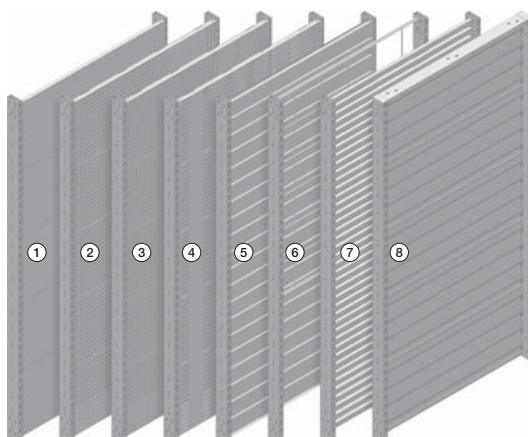
Nominal heights (mm)		
500	600	700
800	900	1000
1100	1200	1300
1400	1500	1600
1700	1800	1900
2000	2100	2200
2300	2400	2500
2600	2700	2800
2900		

The bottom of the upright is always equipped with a pre-punched 360mm cover, suitable for all base types

Structure | Dimensions



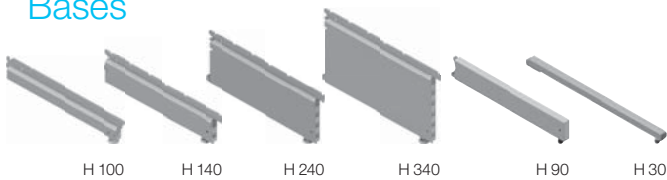
Back Panels



Back Panels Types Available heights (mm)

Back Panels Types	Available heights (mm)								
1 Smooth	-	100	-	200	300	400	-	-	-
2 Anti detachment perforation	-	-	-	-	300	400	-	-	-
3 Asymmetric perforation	-	-	-	-	300	400	-	-	-
4 Slot perforation	-	-	-	-	300	400	-	-	-
5 Slatted	50	100	-	-	-	-	-	-	-
6 Wire	-	-	-	-	-	-	800	1200	-
7 Multibar	-	-	-	-	-	400	-	-	-
8 Central	-	-	-	-	300	400	-	-	-

Bases



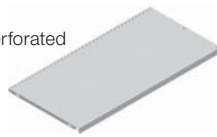
Base	Base depth (mm)									
	200	300	400	500	600	700	800	900	1000	
H 30				•	•	•	•	•	•	•
H 90	•	•	•	•	•	•	•	•	•	•
H 100	•	•	•	•	•	•	•	•	•	•
H 140	•	•	•	•	•	•	•	•	•	•
H 240	•	•	•	•	•	•	•	•	•	•
H 340	•	•	•	•	•	•	•			

Steel Shelf Panels

Smooth



Perforated



Depth (mm)	Depth (mm)								Depth (mm)							
	200	300	400	500	600	700	800		200	300	400	500	600	700	800	
500	•	•	•	•	•	•	•	500	•	•	•	•	•	•	•	
665	•	•	•	•	•	•	•	665	•	•	•	•	•	•	•	
900	•	•	•	•	•	•	•	900	•	•	•	•	•	•	•	
1000	•	•	•	•	•	•	•	1000	•	•	•	•	•	•	•	
1250	•	•	•	•	•	•	•	1250	•	•	•	•	•	•	•	
1330	•	•	•	•	•	•	•	1330	•	•	•	•	•	•	•	
1500	•	•	•	•	•	•	•	1500	•	•	•	•	•	•	•	
I.C.	•	•	•	•	•	•	•	I.C.	•	•	•	•	•	•	•	•
E.C.	•	•	•	•	•	•	•	E.C.	•	•	•	•	•	•	•	•

Glass



Wire



Depth (mm)	Depth (mm)				Depth (mm)				
	300	400	500	600		400	500	600	700
500	•	•	•	•	500	•	•	•	•
665	•	•	•	•	665	•	•	•	•
900	•	•	•	•	900	•	•	•	•
1000	•	•	•	•	1000	•	•	•	•
1250	•	•	•	•	1250	•	•	•	•
1330	•	•	•	•	1330	•	•	•	•

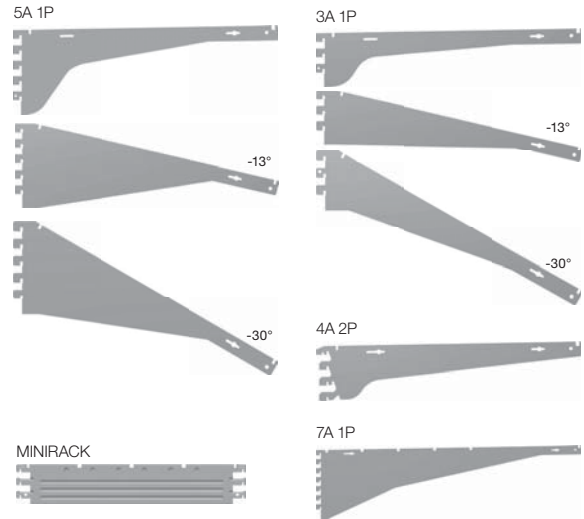
Round



Depth (mm)	Depth (mm)			
	300	400	500	600
Smooth	•	•	•	•
Wire	•	•	•	•

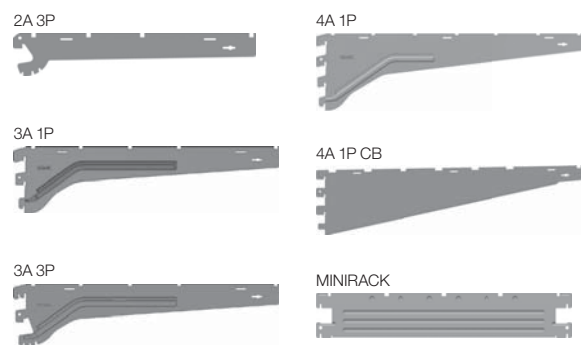
Brackets

Pitch 25



Bracket	Depth (mm)									
	200	300	400	500	600	700	800	900	1000	
3A 1P	•	•	•	•						
3A 1P -13°	•	•	•	•						
3A 1P -30°	•	•	•	•						
4A 2P		•	•	•						
5A 1P			•	•	•					
5A 1P -13°				•	•	•				
5A 1P -30°				•	•	•				
7A 1P							•	•		
Minirack	•	•	•	•	•	•	•	•	•	•

Pitch 50



Bracket	Depth (mm)									
	200	300	400	500	600	700	800	900	1000	
2A 3P	•	•	•	•						
3A 1P			•	•	•					
3A 3P				•	•	•				
4A 1P						•	•	•		
4A 1P CB									•	•
Minirack	•	•	•	•	•	•	•	•	•	•

METALSISTEM S.p.A.

Viale dell'Industria, 2 - 38068 Rovereto (TN) Italy
tel. +39 0464 303030 - fax +39 0464 303031
info@metalsistem.com - www.metalsistem.com